



VE.Bus BMS V2

### The next generation VE.Bus BMS V2

The VE.Bus BMS V2 is the next generation of the VE.Bus Battery Management System (BMS) for [Victron Energy Lithium Battery Smart](#) batteries. These batteries are Lithium Iron Phosphate (LiFePO4) batteries and are available in 12.8 V or 25.6 V in various capacities. They can be connected in series, parallel and series/parallel so that a battery bank can be built for system voltages of 12 V, 24 V or 48 V. The maximum number of batteries in one system is 20, which results in a maximum energy storage of 84 kWh in a 12 V system and up to 102 kWh in a 24 V<sup>1)</sup> and 48 V<sup>1)</sup> system.

It is designed to interface with and protect the lithium batteries in systems that have Victron inverters or inverter/chargers that have VE.Bus communication<sup>2)</sup>.

### Protects each individual cell of a Victron Lithium Battery Smart

For reliable and safe operation, a LiFePO<sub>4</sub> battery must be monitored and protected against over voltage and under voltage of any individual cell, and also over temperature or under temperature conditions. The Victron Lithium Battery Smart range includes integrated cell voltage monitoring, cell voltage balancing, and temperature monitoring.

If the cell voltage or battery temperature is outside of the allowable range, this is communicated to the BMS via two BMS cables with M8 circular connectors. In systems with multiple batteries, the BMS cables of each battery are connected in series (daisy chained), with the first and the last BMS cables connected to the BMS.

Based on the status of the Victron Lithium Battery Smart or batteries, the BMS will:

- Generate a pre-alarm signal to alert of an imminent cell under voltage condition.
- Disable inverting in VE.Bus inverters or inverter/chargers via VE.Bus, and disable other loads via the "Load Disconnect" terminal in the event of a cell under voltage condition.
- Disable charging in VE.Bus inverters or inverter/chargers via VE.Bus, disable VE.Direct and VE.Can solar chargers via a GX device and disable other chargers via the "Charge Disconnect" terminal in the event of a cell overvoltage, under temperature or over temperature condition.

### Communication with VE.Bus products

MultiPlus, Quattro or Inverters connect to the 'MultiPlus/Quattro' port with a standard RJ45 UTP cable.

The BMS disables inverting in the case of a cell under voltage condition and disables charging in the case of a cell over voltage or temperature condition.

### Communication with remote devices

A GX device (such as a Cerbo GX), Digital Multi Control (DMC) panel or a VE.Bus Smart dongle (including any combination) can be connected to the BMS via the 'Remote panel' port. These accessories can all be used in combination with the BMS to remotely control the VE.Bus Inverter or inverter/charger switch state (on/off/charger-only).

### Auxiliary power input and output terminals

The BMS has a dedicated power output terminal (GX-Power) for a GX device and an auxiliary power input terminal (Aux-In) for an external DC power source, such as an AC/DC adaptor. In the event of a system shutdown, the GX device will remain powered via the auxiliary power input or be disconnected to prevent further battery discharge.

### Remote terminals

These terminals can be used to switch the BMS on or off. When the BMS is off, both outputs will be free floating so that loads and chargers are turned off. There are two remote terminals, namely, "Remote L" and "Remote H". A remote on/off switch or relay contact can be connected between L and H to switch the BMS on or off. Alternatively, terminal H can be switched to battery plus, or terminal L can be switched to battery Minus.

### LED indicators

The BMS has the following LED indications:

- Status (blue): Lights shortly once every 10 seconds to indicate normal operation.
- Temp or Cell>4 V (red): Lights when the charge disconnect output is low because of cell overvoltage or overtemperature.
- Cell>2.8 V (blue): Lights when the load disconnect output is high and the battery cell voltages are above 2.8 V.

<sup>1)</sup> To reduce required balancing time, we recommend to use a little different batteries in series as possible for the application. 24 V systems are best built using 24 V batteries. And 48 V systems are best built using two 24 V batteries in series. While the alternative, four 12 V batteries in series, will work, it will require more periodic balancing time. For more information on these batteries, visit the [Lithium Battery Smart product page](#).

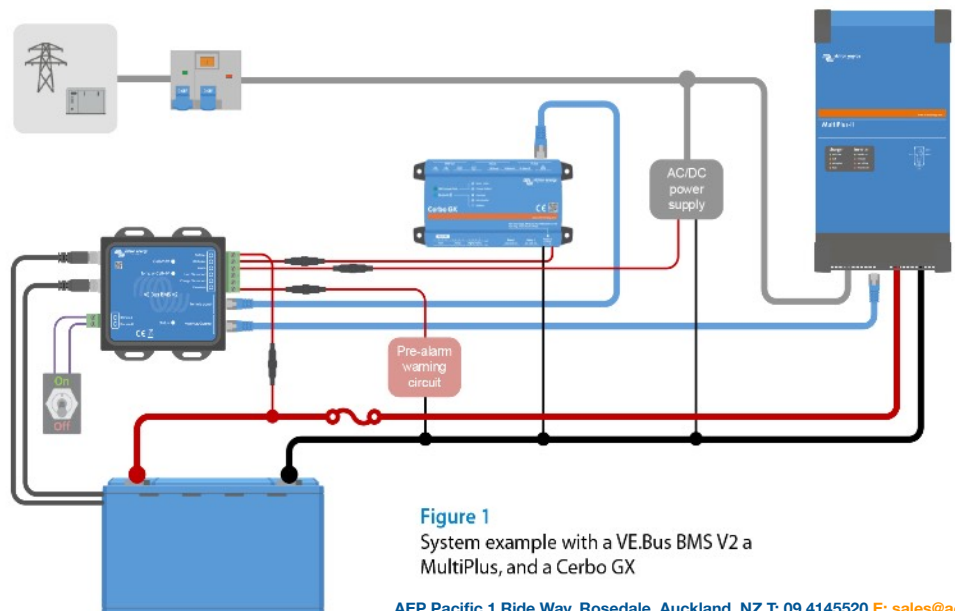
<sup>2)</sup> Inverter/chargers or inverters with the small processors labeled 19XXXXX or 20XXXXX are not supported. These can be identified by the first two digits on the microprocessor label. For such devices, use the VE.Bus BMS instead of VE.Bus BMS V2.



VE.Bus BMS V2  
left side

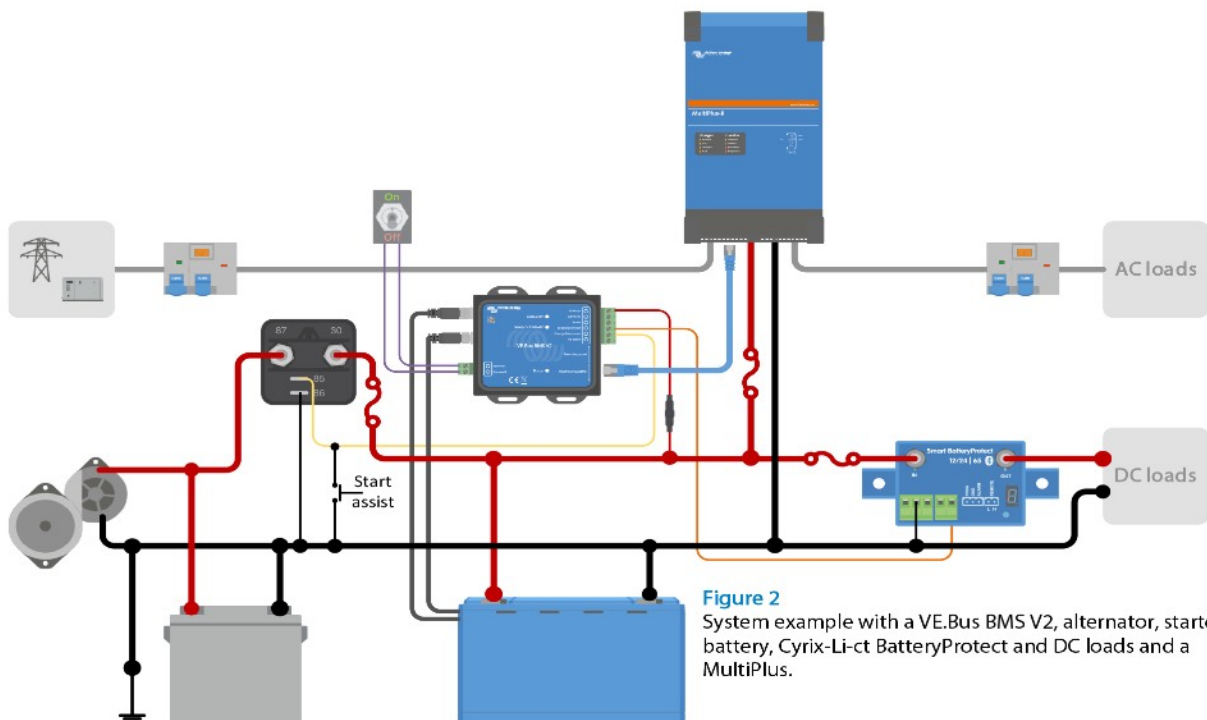


VE.Bus BMS V2  
right side



**Figure 1**  
System example with a VE.Bus BMS V2 a MultiPlus, and a Cerbo GX

VE.Bus BMS V2	BMS300200200
Input voltage range	9 – 70 VDC
Current draw - regular operation	10 mA (excluding Load disconnect current)
Current draw - low cell voltage	2 mA
Current draw - switched off via remote on/off terminal	1.50 mA
GX-pow output	1 A
Aux-in input	1 A
Load disconnect output	Normally high (output voltage $\approx$ supply voltage – 1 V) Floating when the load needs to be disconnected Source current limit: 1 A Sink current: 0 A
Charge disconnect output	Normally high, (output voltage $\approx$ supply voltage – 1 V) Floating when charger should be disconnected Source current limit: 10 mA Sink current: 0 A
Pre-alarm output current rating	1 A, not short circuit protected
Remote terminals	Usage modes to turn the system on or off: a) ON when the L and H terminal are interconnected (switch or relay contact) b) ON when the L terminal is pulled to battery minus ( $V < 3.5$ V) c) ON when the H terminal is high ( $2.9$ V $< V_H < V_{bat}$ ) d) OFF in all other conditions
VE.Bus communication port	2 x RJ45 sockets to connect to all VE.Bus products
GENERAL	
Operating temperature	-20 to +50 °C 0 – 120 °F
Humidity	Max. 95 % (non-condensing)
Protection grade	IP20
ENCLOSURE	
Material	ABS
Colour	Matt black with a blue sticker
Weight	120 gr
Dimensions (h x w x d)	23.8 mm x 94.5 mm x 105.5 mm
STANDARDS	
Standards: Safety Emission Immunity Automotive	EN 60950 EN 61000-6-3, EN 55014-1 EN 61000-6-2, EN 61000-6-1, EN 55014-2 EN 50498
EXTERNAL AC-DC ADAPTER	
Min. power rating	1 A@12 V - If the nominal output voltage is > battery voltage, the AC-DC adapter takes over the power supply of the GX device.



**Figure 2**  
System example with a VE.Bus BMS V2, alternator, starter battery, Cyrix-Li-ct BatteryProtect and DC loads and a MultiPlus.