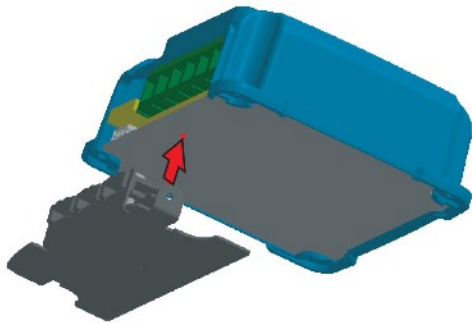
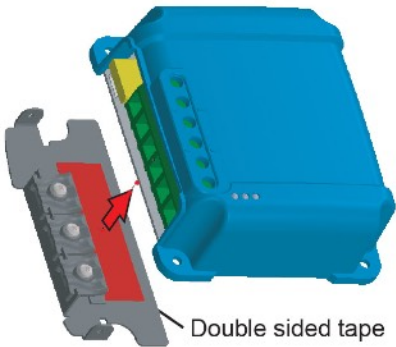
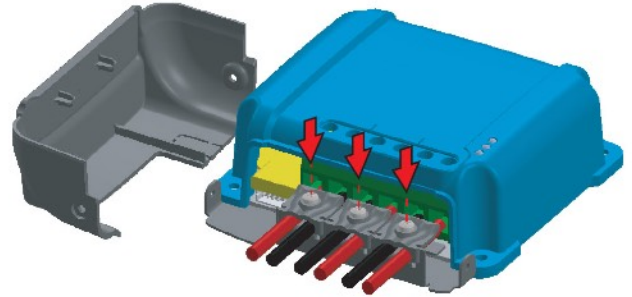


# Quick Installation Guide

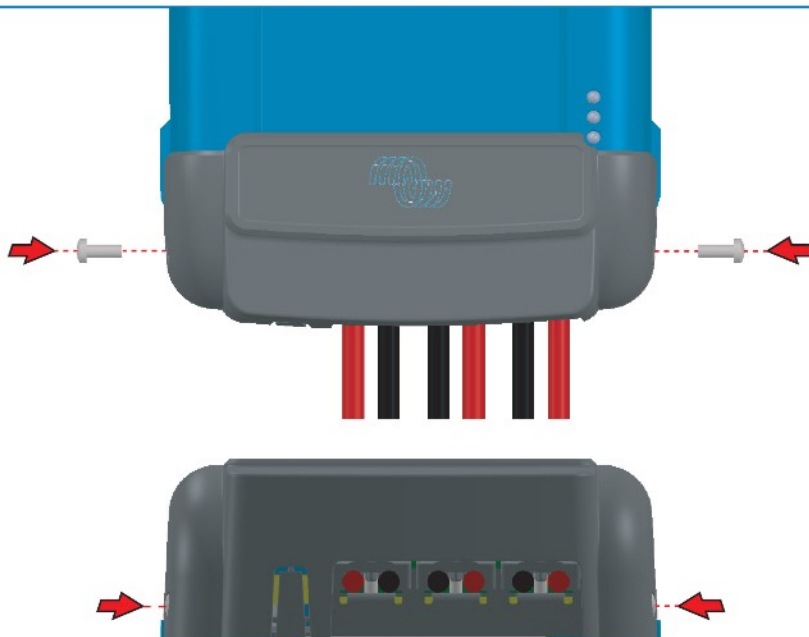
MPPT WireBox-S 75-10/15



STEP 1: Mount the 'steel base' with double sided tape to the MPPT before installation to the wall.



STEP 2: After mounting the MPPT to the wall, secure the cables.



STEP 3: Place the WireBox cover and fasten with two screws.